

# NBT718-4

## Ceiling Mounts



NB718-4 is a ceiling projector mount designed for high end projectors suitable for commercial and home used. Constructed and made out of high tensile steel, rigid and stable with adjustable height to suit your requirements.

### Adjustable function

■ With 20° left right swivel angles, 718-2 fulfill your viewing requirements.

### Display height adjustable

■ Universal projector Mount carriage.

### Easy to install

■ Modular system designed to save you installation time.

### Specialized Mount for Projector

■ Designed for all kinds of projectors

■ Load capacity : 30lbs ( 13.6kg )

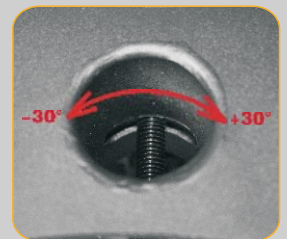
■ Tilt angle : -20°/+20°

■ Swivel : -30°/+30°

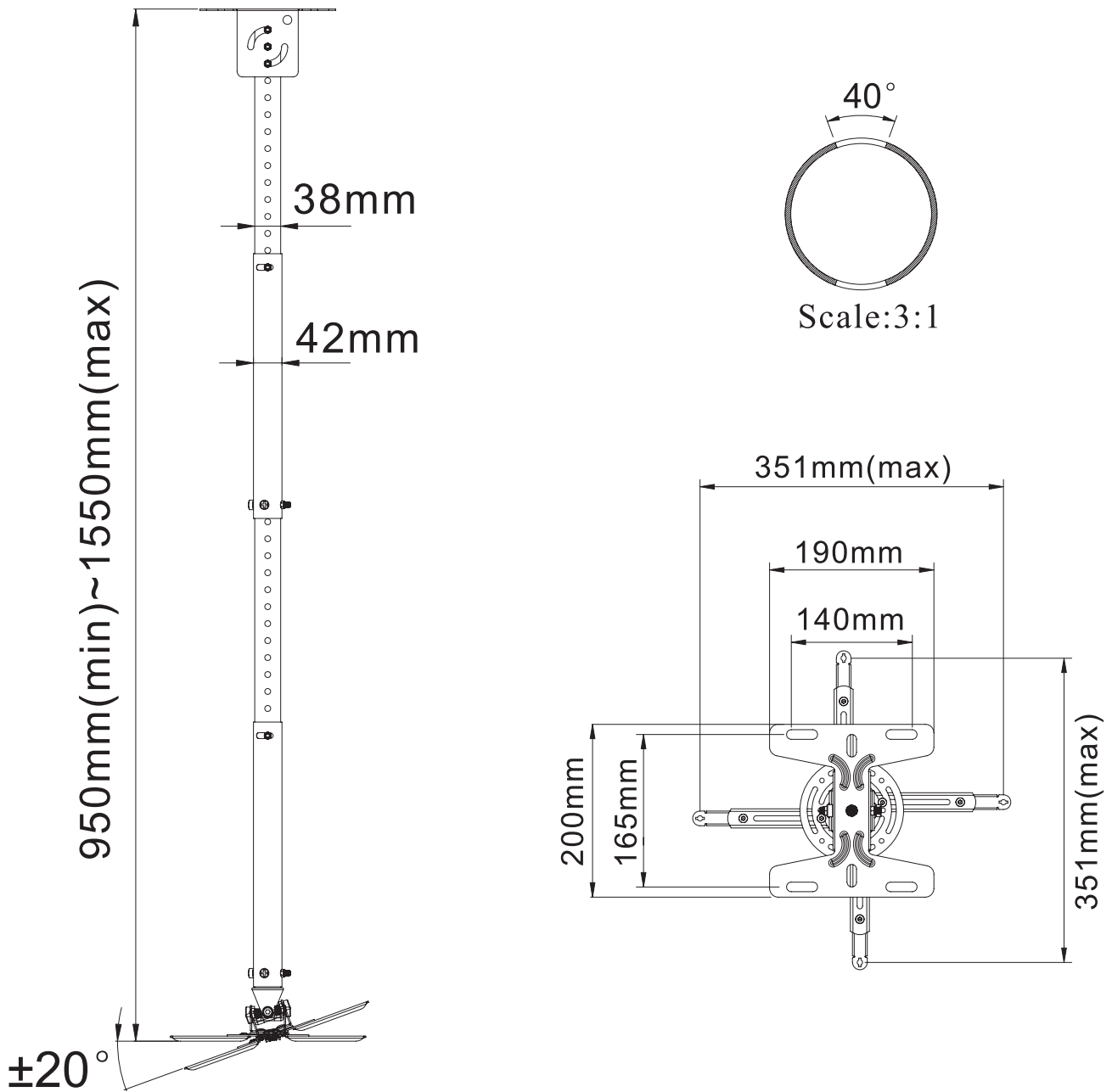
■ Color : Black or White

■ Material : SPCC with coating finished

## Product Features



# NBT718-4 Specialized Mount for Projector



## Notes

Multifunctional wall mounts has been designed only for mounting onto a wall constructed of wood studs, masonry or solid concrete wall. For safe installation, the wall you are mounting to must support minimum 4 times the weight of the total projector or TV panel weight.

For more information, please visit: [www.nbavmount.com](http://www.nbavmount.com)